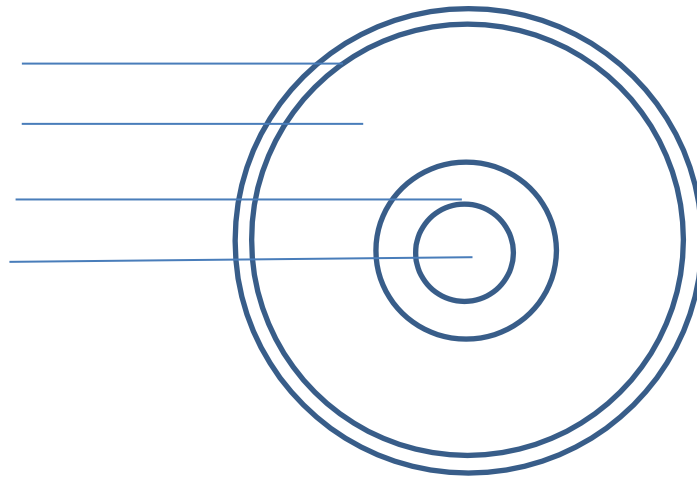


NAME:

---

1. Imagine the circles below represent the Earth's cross section. **Label each layer.**



2. Describe the Earth's **core**.
3. What is **lithosphere**?
4. What is a **tectonic plate**?
5. Which type of crust, continental or oceanic, is:
- a. thicker?
  - b. younger (on average)?